



DENTALIUM IMPLANTS

Always true quality

► **Novitex[®]** Dual Surface Treatment



catalog ▲ 2020

is at the heart of

► **science, mechanical desing
and craftsmanship**



**DENTALIUM
IMPLANTS**

Always true quality



The well respected and acknowledged world authority...

Switzerland

has been one of the most important centers for craftsmanship that requieres

**high precision
and expertise** throughoust history.

The products with impeccable mechanical designs, can be used for a lifetime and add value to your life.



PSI IMPLANT SYSTEM

▶ **DENTALIUM** are tapered internal hex implants, designed to enable easy insertion while supporting excellent initial stability. The variable thread design enables safe tapping, thus providing, thus providing superb solutions for a variety of bone conditions.

All of our implants are made of the titanium alloy Ti - 6Al - 4V ELI, in accordance with ASTM-F136-02. Titanium has the outstanding capability to integrate almost completely with the bone. This unique characteristic coupled with its metallurgical advantages of strength and endurance makes titanium the ideal implant material. In addition it can be precisely machined to ensure a range of implants are coated with RBM treatment rich with Calcium phosphate.

▶ **PSI DENTALIUM IMPLANTS® SYSTEM** offers an excellent solution for immediate placement and immediate loading. One platform fits all implant diameters.

▶ **PSI DENTALIUM IMPLANTS® SYSTEM** adhere to the highest international standards of manufacturing and have the ISO standards institute and CE, FDA approval.

▶ **CLINICAL BENEFITS:**

- ▶ better control during placement.
- ▶ Greater initial placement stability
- ▶ Self drilling, super self - tapping feature.
- ▶ Self - condensing.
- ▶ Self - directing in line of line of insertion.

- ▶ Material : Ti-6Al-4V ELI
- ▶ Hexagonal implant diameter 2,50 mm
- ▶ NOVITEX® Dual Surface Treatment



Drill Sequence



**DENTALIUM
IMPLANTS**

◀ Always true quality

PSI IMPLANT SYSTEM

Ø D (mm)	Ø DI (mm)	L (mm)	Cat. no.
3.3	2.6	8	PSI-3.3-L8
		10	PSI-3.3-L10
		11.5	PSI-3.3-L11.5
		13	PSI-3.3-L13
		16	PSI-3.3-L16
3.75	3.1	8	PSI-3.75-L8
		10	PSI-3.75-L10
		11.5	PSI-3.75-L11.5
		13	PSI-3.75-L13
		16	PSI-3.75-L16
4.2	3.5	8	PSI-4.2-L8
		10	PSI-4.2-L10
		11.5	PSI-4.2-L11.5
		13	PSI-4.2-L13
		16	PSI-4.2-L16
5.0	4.5	6	PSI-5-L6
		8	PSI-5-L8
		10	PSI-5-L10
		11.5	PSI-5-L11.5
		13	PSI-5-L13
		16	PSI-5-L16
6.0	5.5	6	PSI-6-L6
		8	PSI-6-L8
		10	PSI-6-L10
		11.5	PSI-6-L11.6
		13	PSI-6-L13
		16	PSI-6-L16



DENTALIUM IMPLANTS

Always true quality

PCI IMPLANT SYSTEM®



- ▶ **PCI DENTALIUM IMPLANTS** is a straight wall 2.5 mm internal hex implant (standard) for both two - stage and single stage procedures. This design has a larger surface area that increases the bone to implant contact, resulting in more surface area for bone - cell attachment and interaction with the osteoblast.
- ▶ **PCI DENTALIUM IMPLANTS** is self drilling, with a unique wide threads design, with tapered threads on the apical part for self tapping. It can be used with all bone types, but is specially recommended for bone type 1.
- ▶ **PCI DENTALIUM IMPLANTS** multi design features offers an excellent solution for immediate loading. One platform fits all implants diameters.
- ▶ **PCI DENTALIUM IMPLANTS®** adhere to the highest international standards of manufacturing and have the ISO standards institute and CE, FDA approval.



CLINICAL BENEFITS:

- ▼ better control during placement.
- ▼ Greater initial placement stability
- ▼ Self drilling, super self - tapping feature.
- ▼ Self - condensing.
- ▼ Self - directing in line of line of insertion.

- ▶ Material : Ti-6Al-4V ELI
- ▶ Hexagonal implant diameter 2,50 mm
- ▶ NOVITEX® Dual Surface Treatment



Drill Sequence





**DENTALIUM
IMPLANT**

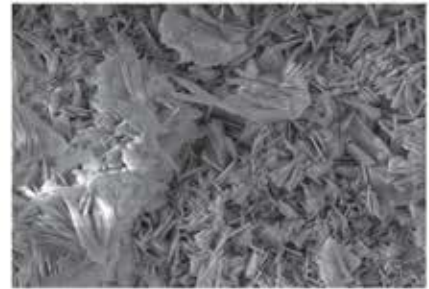
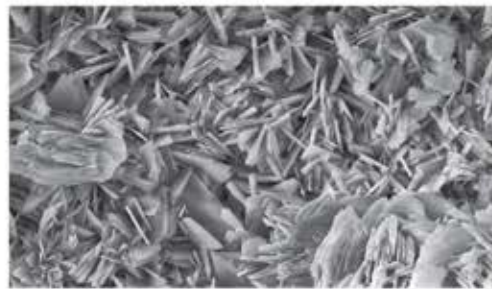
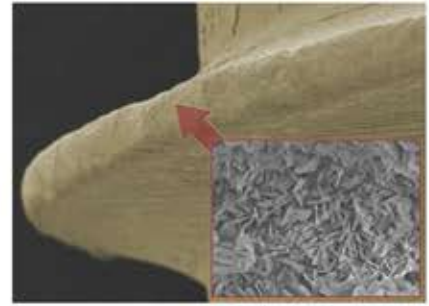
◀ Always true quality

PCI IMPLANT SYSTEM

Ø D (mm)	Ø DI (mm)	L (mm)	Cat. no.
3.3	2.6	8	PCI-3.3-L8
		10	PCI-3.3-L10
		11.5	PCI-3.3-L11.5
		13	PCI-3.3-L13
		16	PCI-3.3-L16
3.75	3.1	8	PCI-3.75-L8
		10	PCI-3.75-L10
		11.5	PCI-3.75-L11.5
		13	PCI-3.75-L13
		16	PCI-3.75-L16
4.2	3.5	8	PCI-4.2-L8
		10	PCI-4.2-L10
		11.5	PCI-4.2-L11.5
		13	PCI-4.2-L13
		16	PCI-4.2-L16
5.0	4.5	6	PCI-5-L6
		8	PCI-5-L8
		10	PCI-5-L10
		11.5	PCI-5-L11.5
		13	PCI-5-L13
		16	PCI-5-L16
6.0	5.5	6	PCI-6-L6
		8	PCI-6-L8
		10	PCI-6-L10
		11.5	PCI-6-L11.6
		13	PCI-6-L13
		16	PCI-6-L16

Novitex[®] Dual Surface Treatment

DENTALIUM IMPLANTS[®] SYSTEM focused its research on the factor of surface roughness and we used various techniques in order to compare our results with the best, universally recognized implant manufacturers. The following results were obtained through metallographic implant surface cross-section analysis in two locations: the base and at the end of the implant. The analysis accurately determined the depth and width of the dimples, as well as their geometry which is clearly visible on the image below. The surface is well-developed with large and small dimples which enhance osseointegration.



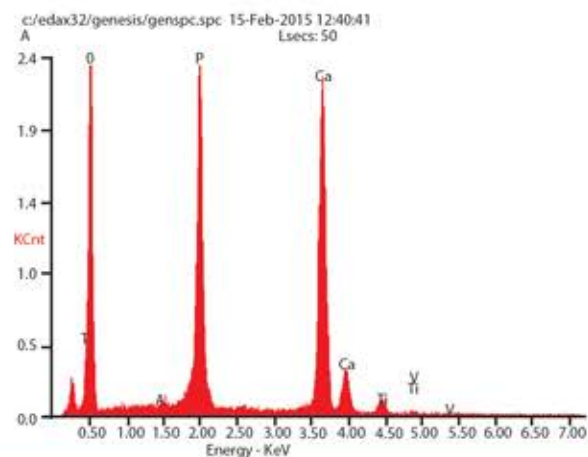
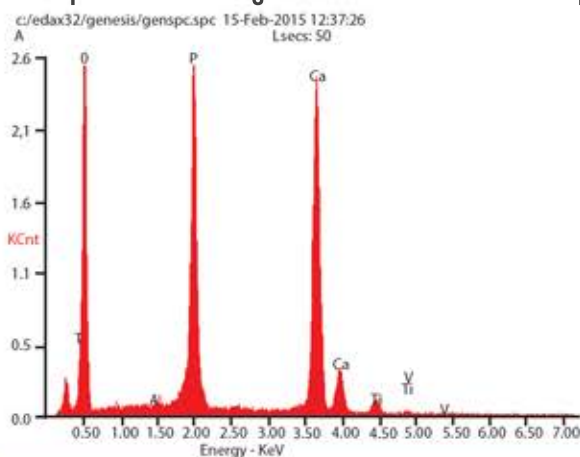
Novitex[®] Dual Surface Treatment combines RBM[®] and CaP and introduces much improved osseointegration by penetrating all of the pores and providing a strong bone anchoring to the surface (high BIC).

Advantage

- ▼ Complex surface design with significant surface enlargement
- ▼ Higher wettability with blood/high affinity for blood
- ▼ Increased primary stability with reduced healing time
- ▼ Active support of bone attachment
- ▼ Possible diversification of indications (early loading/immediately loading)
- ▼ Optimal roughness characteristics
- ▼ Very thin, quickly resorbable CaP layer
- ▼ Rapid bone ongrowth

Quality and Performance Tests

Novitex[®] is easily soluble, providing highly concentrated calcium ions and Phosphate ions resulting in rapid bone growth and high mineralization, acting as an anchor during the mineralization process. Dentalium Implants periodically performs various quality assurance tests, including Cytotoxicity Test and Sterilization Test to make sure **Novitex[®]** performs as expected from premium coating treatment in the dental implants area.





**DENTALIUM
IMPLANTS**

Always true quality

Titanium Healing Abutments

Titanium Healing Abutment Regular Platform

Internal Hex
Compatible *

Diameter (Ø)	Height (H)	Part Numbers
3.8mm	2-3-4-5-6-7mm	HCN-3020 HCN-3030 HCN-3040 HCN-3050 HCN-3060 HCN-3070
4.6mm	2-3-4-5-6mm	HC-4020 HC-4030 HC-4040 HC-4050 HC-4060 HC-4070
5.5mm	2-3-4-5-6mm	HC-5020 HC-5030 HC-5040 HC-5050 HC-5060 HC-5070
6.3mm	3-4-5-6mm	HCW-6030 HCW-6040 HCW-6050 HCW-6060 HCW-6070

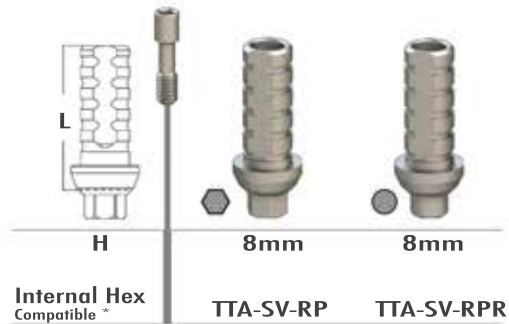
Esthetic Titanium Healing Abutment Regular Platform

Internal Hex
Compatible *

Diameter (Ø)	Height (H)	Part Numbers
4.6mm	2-3-4-5-6mm	PMI-5102 PMI-5103 PMI-5104 PMI-5105 PMI-5106 PMI-5107

Straight Abutments

Temporary Titanium Abutment Regular Platform

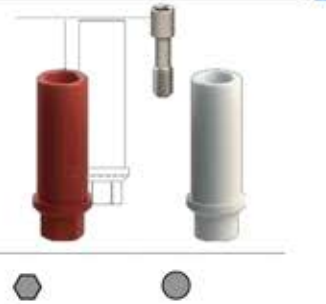


Internal Hex
Compatible *

TTA-SV-RP

TTA-SV-RPR

Plastic Abutment for Casting Regular Platform



H

8mm

8mm

Hex Interno
Compatible *

PIS-0013

PIS-0012

PEEK - Straight Abutment Regular Platform

Medical Peek - Classix



Internal Hex
Compatible *

PA-SV-RP10

PA-SV-RP20

PA-SV-RP30

PA-SV-RP40

Straight Abutment - Ø 4.5mm Regular Platform

Straight Abutment - Wide Ø 5.5mm Regular Platform



Internal Hex
Compatible *

SA-SV-RP15

SA-SV-RP17

ST-1109

ST-1113

ST-1115



Internal Hex
Compatible *

SA-SV-RP9W

SA-SV-RP12W

Straight Slim Abutment Regular Platform



Internal Hex
Compatible *

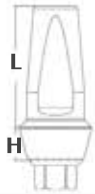
SSA-SV-RP5



SSA-SV-RP7

STN-3811

Straight Abutments

Straight Abutment W/Shoulder Regular Platform




				
H	1 mm	2 mm	3 mm	4 mm
L	9.4mm	10.4mm	11.4mm	12.4mm
Internal Hex Compatible *	STA-4710	STA-4712	STA-4713	STA-4714




Anatomic Straight Abutment Regular Platform



				
H	1 mm	2 mm	3 mm	4 mm
L	9.4mm	10.4mm	11.4mm	12.4mm
Internal Hex Compatible *	SLM-3810	SLM-3820	SLM-3830	SLM-3840

Anatomic Straight Abutment Regular Platform



			
H	1 mm	2 mm	3 mm
L	9.4mm	10.4mm	11.4mm
Internal Hex Compatible *	SCM-3810	SCM-3820	SCM-3830

Angled Abutments

Angled Abutment 15° Regular Platform



Concave Anatomic Angled Abutment 15° Regular Platform



Anatomic Angled Abutment -15° Regular Platform



Anatomic Angled Abutment - 25° Regular Platform



PEEK- Anatomic Angled Abutment 15° Regular Platform



PEEK- Anatomic Angled Abutment 25° Regular Platform



Impression Coping



DENTALIUM
IMPLANTS

Always true quality

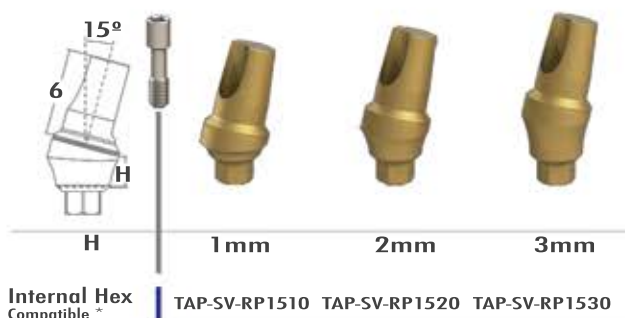
Closed Tray Impression Coping - Narrow - \varnothing 4mm Regular Platform



Straight Transfer Abutment Regular Platform



Angled Transfer Abutment - 15° Regular Platform

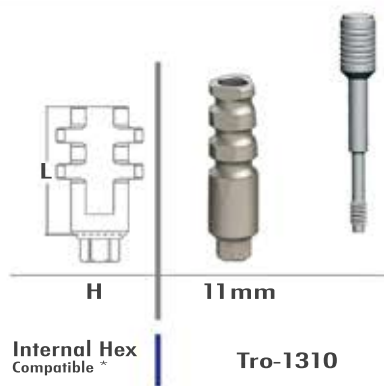


Angled Transfer Abutment - 25° Regular Platform

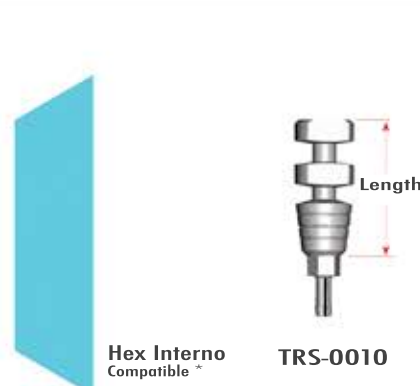


for all Overdenture lines

Open Tray Impression Coping Regular Platform



Pick Up Closed Tray Impression Coping Regular Platform



Pop Clicq™



DENTALIUM
IMPLANTS

Always true quality

Straight Titanium Pop-Clicq™ - Mini Kit Regular Platform



H	0.5mm	1mm	2mm	3mm
Internal Hex Compatible *	LOCW-SV-RP05K	LOCW-SV-RP10K	LOCW-SV-RP20K	LOCW-SV-RP30K

H	4mm	5mm	6mm
Internal Hex Compatible *	LOCW-SV-RP40K	LOCW-SV-RP50K	LOCW-SV-RP60K

Angled Titanium Pop-Clicq™ - 18° Regular Platform



18° H	1mm	2mm	3mm	4mm
Internal Hex Compatible *	LOCW-SV-RP1805K	LOCW-SV-RP1810K	LOCW-SV-RP1820K	LOCW-SV-RP1830K

Angled Titanium Pop-Clicq™ - 30° Regular Platform



30° H	1mm	2mm	3mm	4mm
Internal Hex Compatible *	LOCW-SV-RP3005K	LOCW-SV-RP3010K	LOCW-SV-RP3020K	LOCW-SV-RP3030K

Multi Clicq™



Internal Hex

**Multi Clicq™ - Angled
Mini & Standard Kit**

Patent Pending No. Us 62/679,389

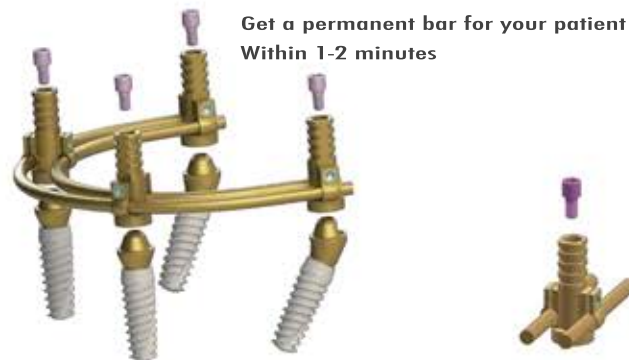


**Multi Clicq™ - Bar On4 Kit
Regular Platform**

**Multi Clicq™ - Bar On6 Kit
Regular Platform**

	(Screw Driver Included)	
Internal Hex Compatible **	MUL-SV-BK4	MUL-SV-BK4D

	(Screw Driver Included)	
Internal Hex Compatible **	MUL-SV-BK6	MUL-SV-BK6D



**Multi Clicq™ - Bar
Components**



Multi Clicq™



Straight Abutment Regular Platform

					
H	1mm	2mm	3mm	4mm	5mm
Internal Hex Compatible *	SU-0031	SU-0032	SU-0033	SU-0034	SU-0035

One Piece Angled 17° Abutment Mini Kit Regular Platform

			
G H	2mm	3mm	4mm
Internal Hex Compatible *	MS-1702	MS-1703	MS-1704

One Piece Angled 30° Abutment Mini Kit Regular Platform

			
G H	3mm	4mm	5mm
Internal Hex Compatible *	MS-3003	MS-3004	MS-3005

Multi Clicq™ - Components

Prosthetic Titanium Screw



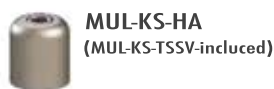
Abutment Analog



Open Tray Plastic Transfer



Healing cap



Temporary Titanium Sleeve



Castable Plastic Sleeve

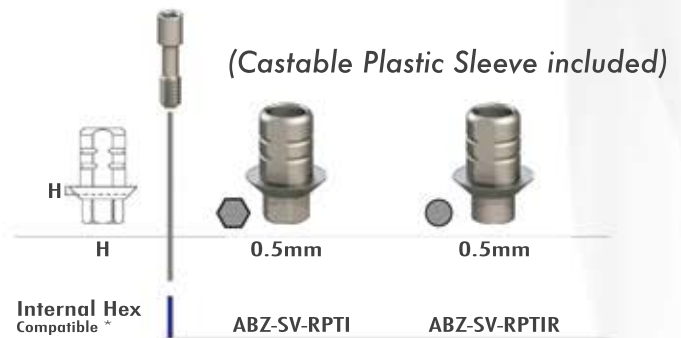
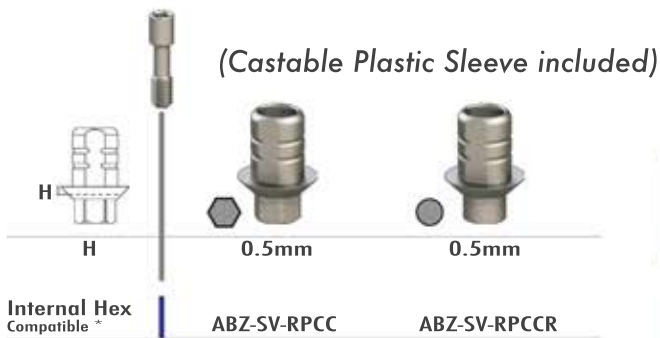


Digital Solutions



Chrome Cobalt Abutment Regular Platform

Titanium Base Regular Platform



Titanium Base Regular Platform

PEEK Scan Body Regular Platform



Pre-Milled Titanium Blank Regular Platform



Zircocam™ - Straight Anatomic Abutment Regular Platform



Zircocam™ - Angled Anatomic Abutment 15° Regular Platform



Zircocam™ - Angled Anatomic Abutment 15° Regular Platform



Zircocam™ - Angled Anatomic Abutment 25° Regular Platform



Ball Attachment



Ball Attachment Regular Platform



Ball Attachment - Components

Metal Housing



KIT



**DENTALIUM
IMPLANTS**

Always true quality

CAT No. PRODUCT

- DR-5019 Round Bur \varnothing 1.9 without irrigation
- DR-5020 Pilot Drill \varnothing =2.0mm
- DR-5028 Drill \varnothing =2.8mm
- DR-5032 Drill \varnothing =3.2mm
- DR-5038 Drill \varnothing =3.8mm
- DR-5042 Drill \varnothing =4.2mm
- DR-5048 Drill \varnothing =4.8mm

- GP-1020 Guide Pin 10mm x 2
- GP-1320 Guide Pin 13mm x 2
- HD-2507 Hex Driver 1.25 L 7mm
- HD-2510 Hex Driver 1.25 L10mm
- HD-4207 Hex Driver 2.42 L 7mm
- HD-4215 Hex Driver 2.42 L15mm
- MG-4228 Motor Mount 2.42 Hex L28mm
- MG-2522 Motor Mount 1.25 Hex L22mm
- MG-2528 Motor Mount 2.42 Hex L20mm
- RC-2030 Ratchet
- RC-2050 Torque Ratchet
- Drill Extension
- MC-0001 Metal Container



SURGICAL TOOLS

AR 2040

Surgical Screw Driver Hex 6.35 mm



LABK 1010

Laboratory Screw Driver Hex 1.25 mm



RC 2030

Ratchet





DENTALIUM IMPLANTS

◀ Always true quality



📍 5 Yonatan Netanyahu st.Or Yehuda

📞 + 9 72 (0)54-7528166

✉ info@dentalium-implants.com

www.dentalium-implants.com

